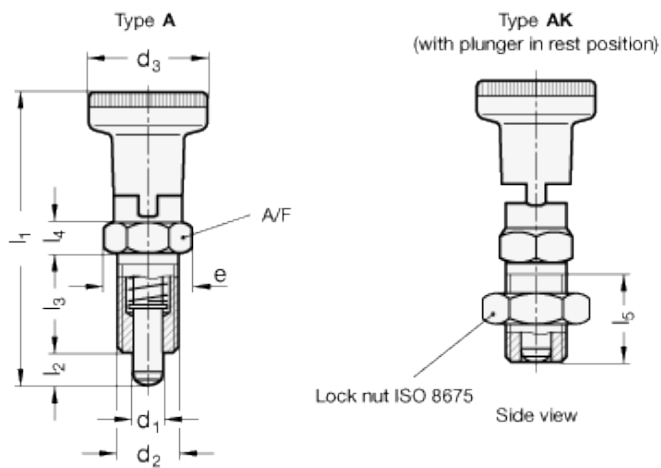


GN 617.1

Indexing plungers with rest position



technical informations

Threaded body
Black-oxide steel.

Plunger

Black-oxide steel with hardened end. Suggested matching hole in H7 tolerance.

Locking nut

Black-oxide steel.

"Push/Pull" knurled knob

High resilience polyamide based (PA) technopolymer, black colour, matte finish. Resistant to solvents, oils, greases and other chemical agents.

Standard versions available

- Version A: with knob, without locking nut.
- Version AK: with knob and locking nut, ISO 8675.

Accessories on request (For sufficient quantities)

GN 609 black-oxide steel distance bushings are available for making up for the length of the threading in case the plunger is assembled on thin sheets.

Applications

GN 617.1 indexing plungers with rest position are used where positioning operations are required and in those applications where the plunger needs to be locked in the retracted position.

Standard Elements	Main dimensions											Spring pressure in N \approx		Weight
	Description	d -0.02/-0.04	d ₁	D	e	L	l _{1 min.}	l	l ₂	l ₃	S	Prelaod	Max. load	
GN 617.1-5-A	5	M10x1	21	13.8	51	5	17	5	15	12	7	17	23	
GN 617.1-6-A	6	M12x1.5	25	16.2	61	6	20	6	17	14	9	24	34	
GN 617.1-8-A	8	M16x1.5	31	21.9	75.5	7	26	8	23	19	11	30	9	
GN 617.1-10-A	10	M20x1.5	31	25.4	91	10	33	10	30	22	19	45	130	
GN 617.1-5-AK	5	M10x1	21	13.8	51	5	17	5	15	12	7	17	30	
GN 617.1-6-AK	6	M12x1.5	25	16.2	61	6	20	6	17	14	9	24	48	
GN 617.1-8-AK	8	M16x1.5	31	21.9	75.5	7	26	8	23	19	11	30	91	
GN 617.1-10-AK	10	M20x1.5	31	25.4	91	10	33	10	30	22	19	45	163	



ELESA and GANTER models all rights reserved in accordance with the law. Always mention the source when reproducing our drawings.

STANDARD MACHINE ELEMENTS WORLDWIDE